

Clamp Current Transformer

Clamp-on current transformer is the one-hand operating solution for temporary or long-term studies. Used in : tight places and clamp around bus bars, building automation,tenant submetering, performance verification, energy management and new technology assessments.

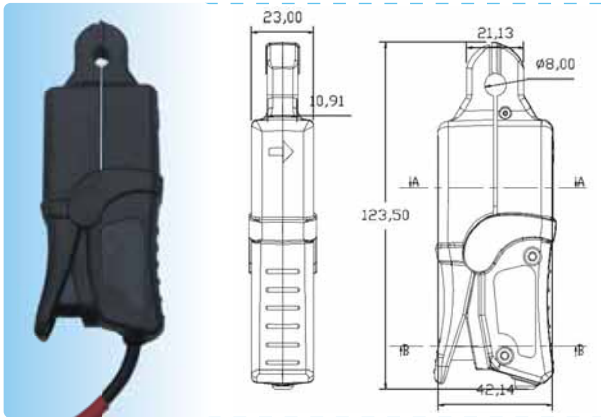
These Clamp CTs are of high accuracy, high sensitivity, versatility, and low phase shift making these probes an excellent choice for use in a wide range of power measurement applications.

Specifications list of Clamp CT

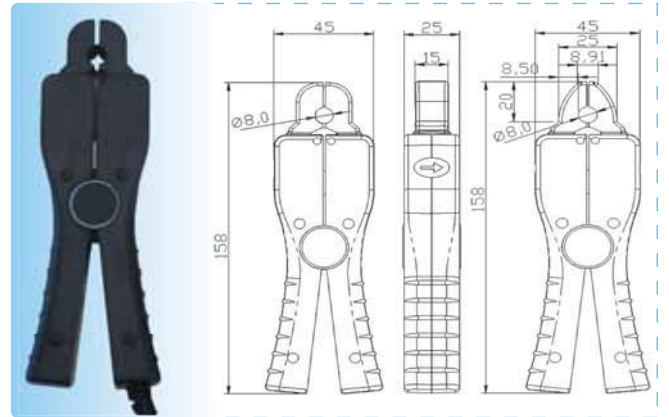
Burden: $\leq 4 \Omega$ (if mA output) , 0.1Ω (if 1A output) , $2.5VA$ (if 5A output)

| Item No | Clamp Size: | Primary Current | Secondary Current | Accuracy class |
|---------|---------------------|-----------------|-------------------|------------------|
| Q8 | $\Phi 8mm$ | 5A -10A | 2ma -10ma | 0.2,0.5 |
| Q8A -1 | $\Phi 8mm$ | 5A -10A | 2ma -10ma | 0.1 , 0.2 |
| Q8B | $\Phi 8mm$ | 5A -10A | 2ma -10ma | 0.2 , 0.5, |
| Q8D | $\Phi 6 \times 8mm$ | 5A -10A | 2ma -10ma | 0.2, 0.5 |
| Q13 | $\Phi 13mm$ | 10A -100A | 4ma -100ma | 0.1 , 0.2, |
| Q20A | $\Phi 20mm$ | 30A -200A | 30ma -200ma | 0.1 , 0.2, |
| Q20B | $\Phi 20mm$ | 5A -200A | 2.5ma -200ma | 0.1 , 0.2, 0.5 |
| XQ20 | $\Phi 20mm$ | 5A -200A | 2.5ma -200ma | 0.1 , 0.2, |
| Q50 | $\Phi 50mm$ | 10A -1000A | 2.5ma -5A | 0.1 , 0.2, 0.5 |
| Q70 | $\Phi 70mm$ | 200A -1000A | 100ma -5A | 0.1 , 0.2, 0.5 |
| Q110 | $\Phi 110mm$ | 100 -1000A | 100ma -5A | 0.5, 0.1 (alloy) |
| Q125B | $\Phi 125mm$ | 100 -1000A | 100ma -5A | 0.5, 0.1 (alloy) |
| Q125A | 125mm*52mm | 180A -3000A | 30ma -5A | 0.1 , 0.2, 0.5 |
| Q125 | 125mm*52mm | 180A -3000A | 30ma -5A | 0.1 , 0.2, 0.5 |
| Q150 | $\Phi 150mm$ | 1000A -3000A | 200ma -5A | 0.1 , 0.2, 0.5 |

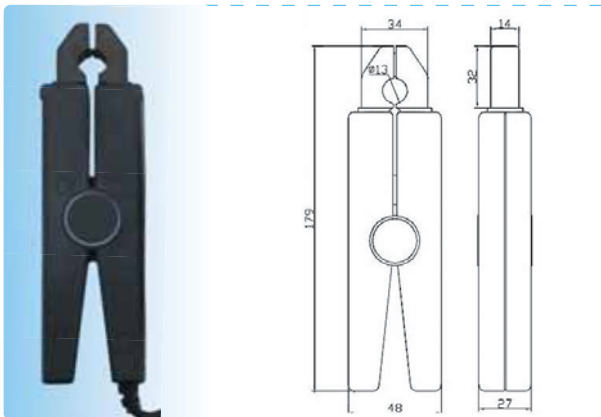
Q8



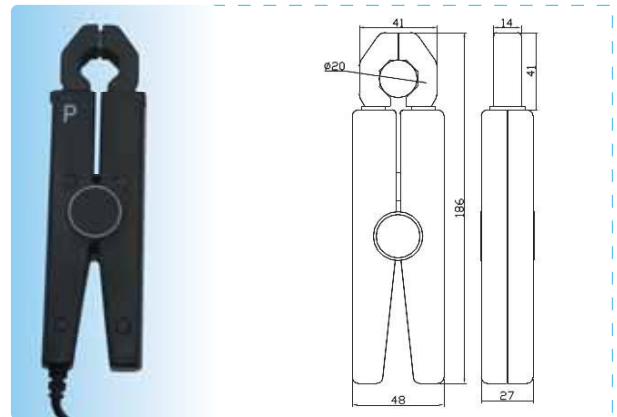
Q8 A



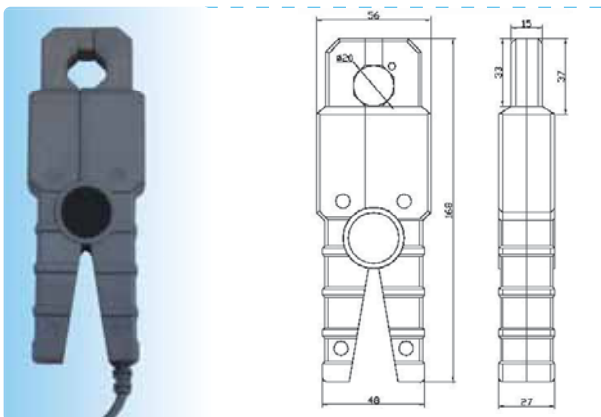
Q13



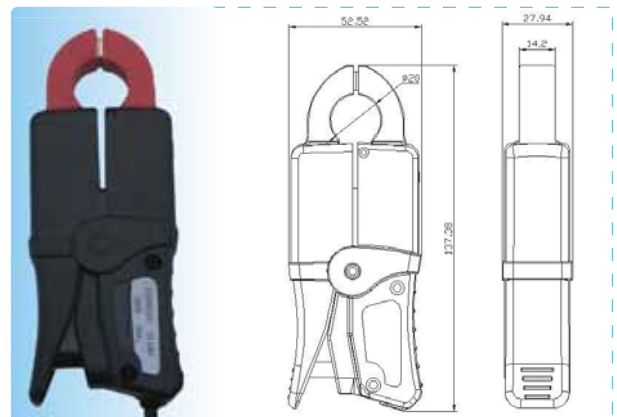
Q20 A



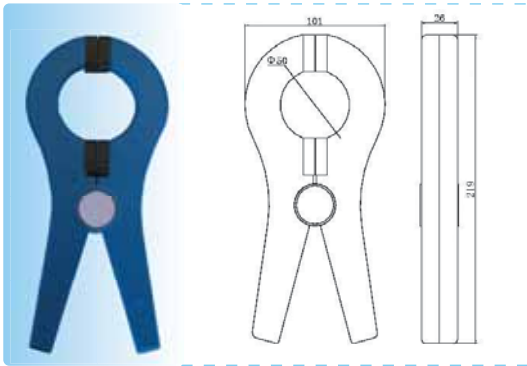
Q20 B



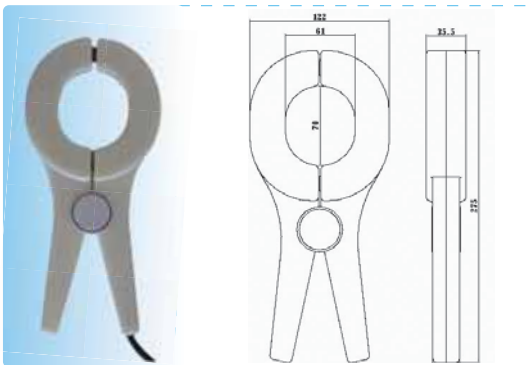
XQ20



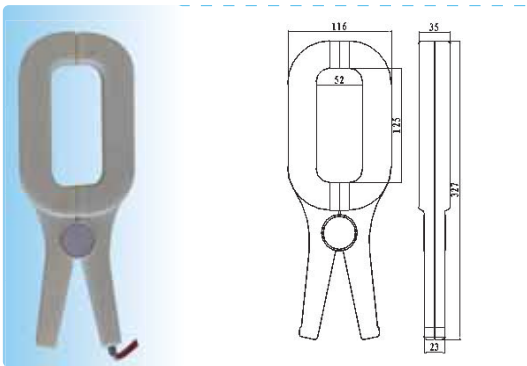
Q 50



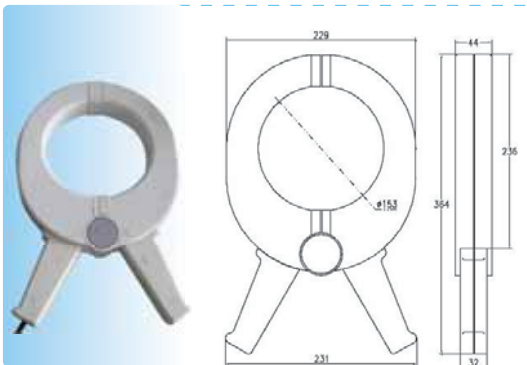
Q 70



Q 125



Q 150



KH series Split Core CT



SKH series Split Core CT

