



Clamp Current Transformer

Clamp-on current transformer is the one-hand operating solution for temporary or long-term studies. Used in : tight places and clamp around bus bars, building automation,tenant submetering, performance verification, energy management and new technology assessments.

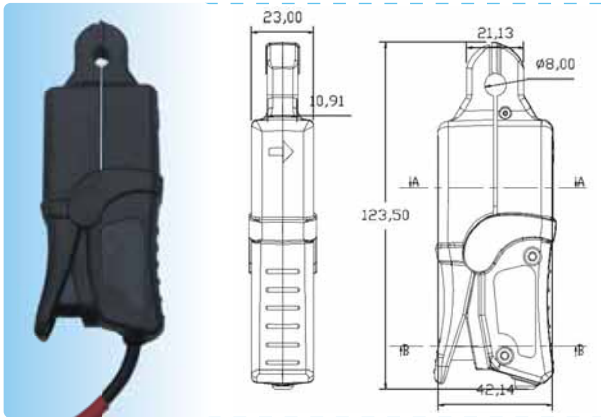
These Clamp CTs are of high accuracy, high sensitivity, versatility, and low phase shift making these probes an excellent choice for use in a wide range of power measurement applications.

Specifications list of Clamp CT

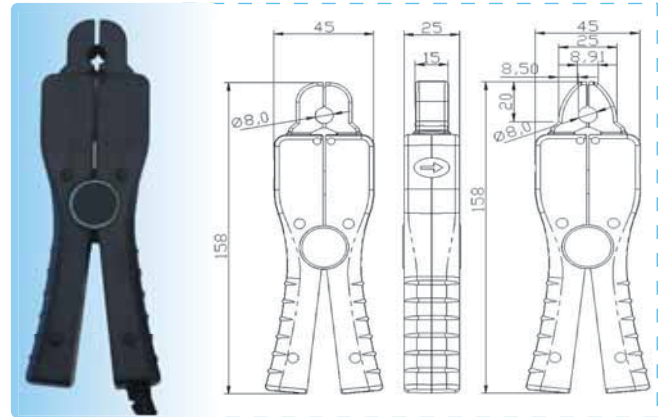
Burden: $\leq 4 \Omega$ (if mA output) , 0.1Ω (if 1A output) , $2.5VA$ (if 5A output)

Item No	Clamp Size:	Primary Current	Secondary Current	Accuracy class
Q8	$\Phi 8mm$	5A -10A	2ma -10ma	0.2,0.5
Q8A -1	$\Phi 8mm$	5A -10A	2ma -10ma	0.1 , 0.2
Q8B	$\Phi 8mm$	5A -10A	2ma -10ma	0.2 , 0.5,
Q8D	$\Phi 6 \times 8mm$	5A -10A	2ma -10ma	0.2, 0.5
Q13	$\Phi 13mm$	10A -100A	4ma -100ma	0.1 , 0.2,
Q20A	$\Phi 20mm$	30A -200A	30ma -200ma	0.1 , 0.2,
Q20B	$\Phi 20mm$	5A -200A	2.5ma -200ma	0.1 , 0.2, 0.5
XQ20	$\Phi 20mm$	5A -200A	2.5ma -200ma	0.1 , 0.2,
Q50	$\Phi 50mm$	10A -1000A	2.5ma -5A	0.1 , 0.2, 0.5
Q70	$\Phi 70mm$	200A -1000A	100ma -5A	0.1 , 0.2, 0.5
Q110	$\Phi 110mm$	100 -1000A	100ma -5A	0.5, 0.1 (alloy)
Q125B	$\Phi 125mm$	100 -1000A	100ma -5A	0.5, 0.1 (alloy)
Q125A	125mm*52mm	180A -3000A	30ma -5A	0.1 , 0.2, 0.5
Q125	125mm*52mm	180A -3000A	30ma -5A	0.1 , 0.2, 0.5
Q150	$\Phi 150mm$	1000A -3000A	200ma -5A	0.1 , 0.2, 0.5

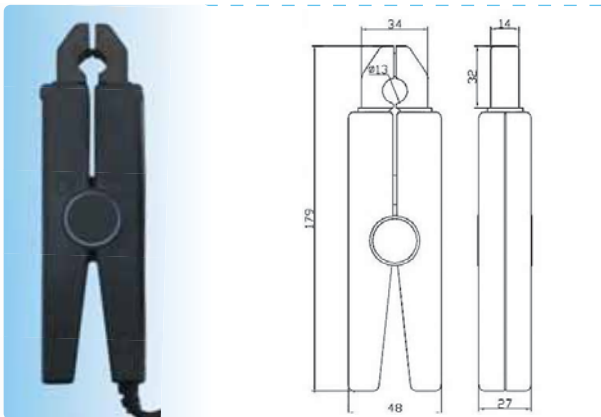
Q8



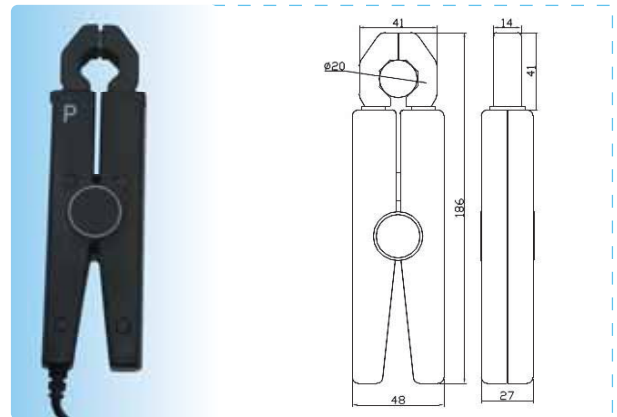
Q8 A



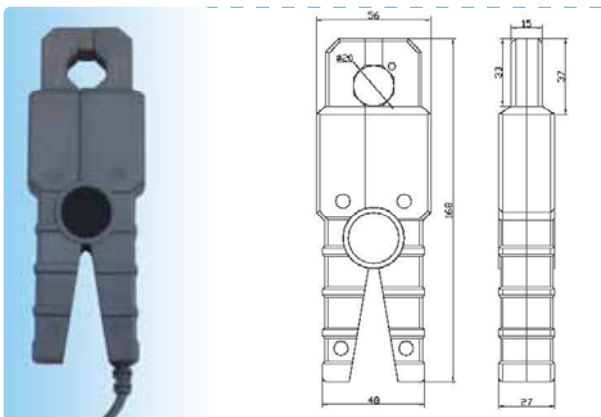
Q13



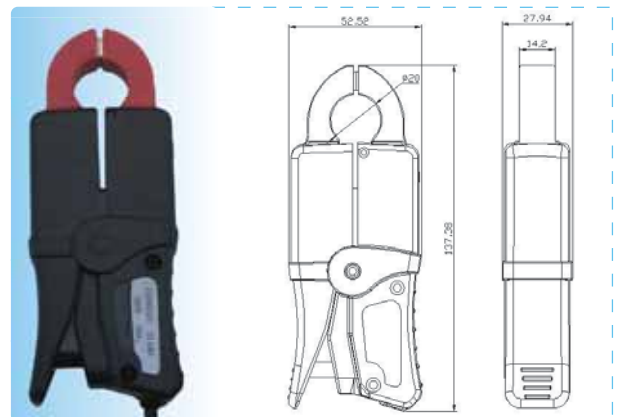
Q20 A



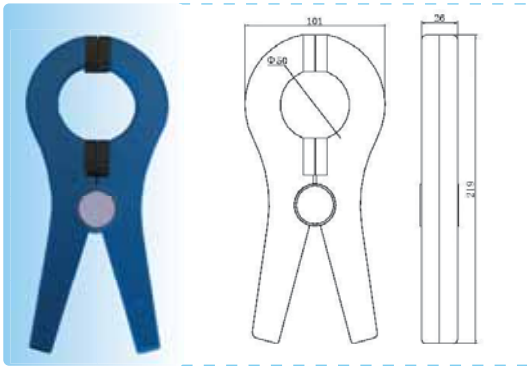
Q20 B



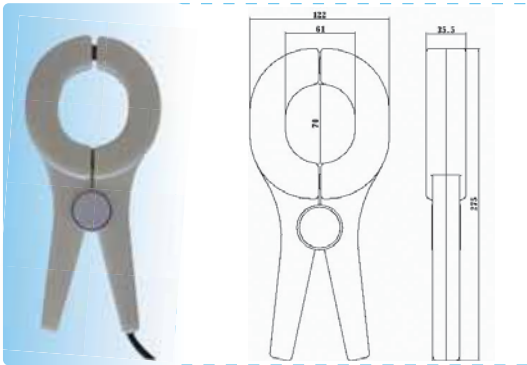
XQ20



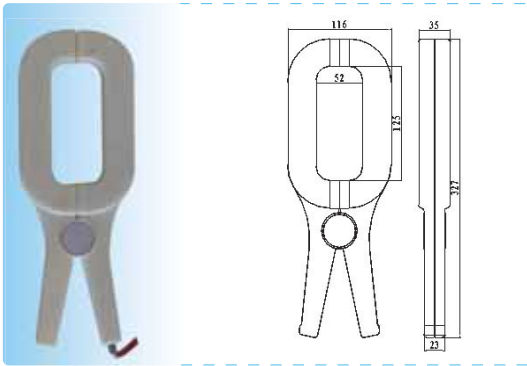
Q 50



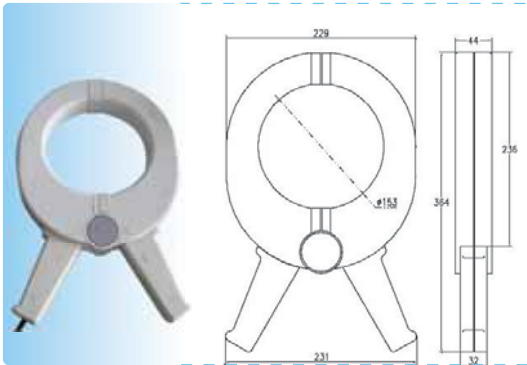
Q 70



Q 125



Q 150



KH series Split Core CT



SKH series Split Core CT

