
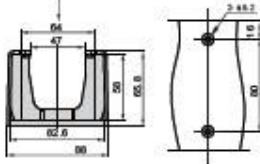

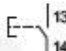
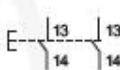
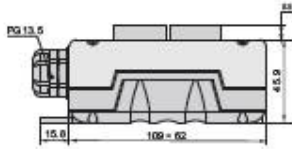

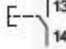
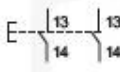
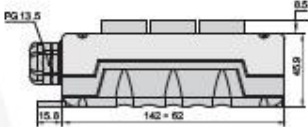

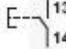
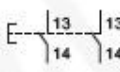
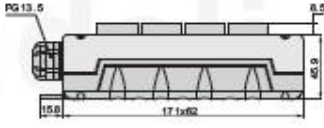

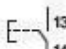
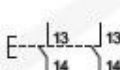
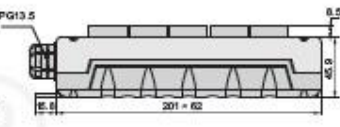

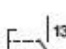
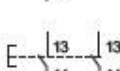
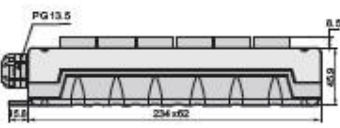


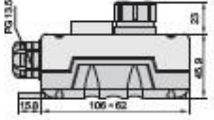



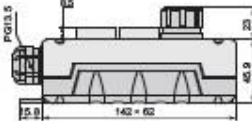




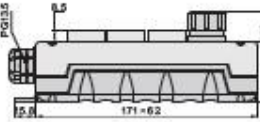






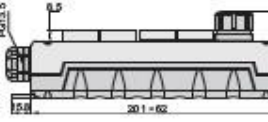
















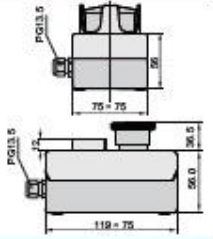








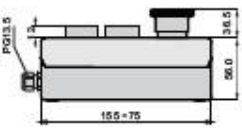





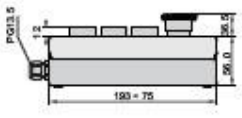






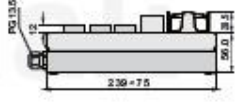







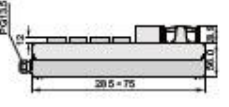








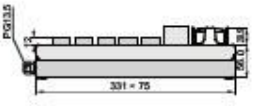



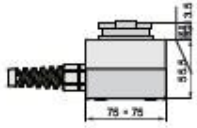

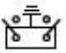


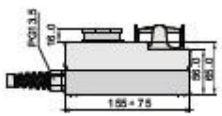

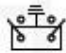



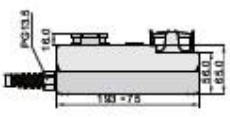






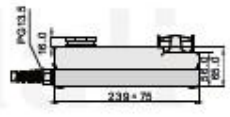

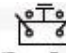





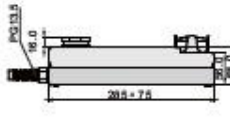

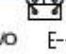









Catalog of Mafelec pushbutton control box

Control Switch	Description	Contact	Symbol	Type	Contour
	protecting cover	—	—	LAY5-EPC	
	2 holes spring return push button 1 flush black 1 flush white IP54	N/O 2N/O+2N/O	 	LAY5-EPB2 LAY5-EPB22	
	3 holes spring return pushbuttons 1 flush white 1 flush black 1 flush white IP54	N/O 3N/O+3N/O	 	LAY5-EPB3 LAY5-EPB32	
	4 holes spring return pushbuttons a flush black a flush white a flush black a flush white IP54	N/O 4N/O+4N/O	 	LAY5-EPB4 LAY5-EPB42	
	5 holes spring return pushbuttons a flush black a flush white a flush black a flush white a flush white IP54	N/O 5N/O+5N/O	 	LAY5-EPB5 LAY5-EPB52	
	6 holes spring return pushbuttons a flush black a flush black a flush white a flush black a flush white a flush white IP54	N/O 6N/O+6N/O	 	LAY5-EPB6 LAY5-EPB62	

Control Switch	Description	Contact	Symbol	Type	Contour				
 <p>LAY5-EPBS2</p>	2 holes control box 1 white spring return button 1 red emergency button turn to release IP54	N/C+1N/O <table border="0"> <tr> <td style="border-left: 1px dashed black; border-right: 1px dashed black;">21</td> <td style="border-right: 1px dashed black;">22</td> <td style="border-right: 1px solid black;">13</td> <td style="border-right: 1px solid black;">14</td> </tr> </table>	21	22	13	14		LAY5-EPBS2	
		21	22	13	14				
NC+2N/O <table border="0"> <tr> <td style="border-left: 1px dashed black; border-right: 1px dashed black;">21</td> <td style="border-right: 1px dashed black;">22</td> <td style="border-right: 1px solid black;">13</td> <td style="border-right: 1px solid black;">14</td> <td style="border-right: 1px solid black;">13</td> <td style="border-right: 1px solid black;">14</td> </tr> </table>	21	22	13	14	13	14		LAY5-EPBS22	
21	22	13	14	13	14				
 <p>LAY5-EPBS3</p>	3 holes control box 1 white spring return button 1 black spring return button 1 red emergency button turn to release IP54	N/C+2N/O <table border="0"> <tr> <td style="border-left: 1px dashed black; border-right: 1px dashed black;">21</td> <td style="border-right: 1px dashed black;">22</td> <td style="border-right: 1px solid black;">13</td> <td style="border-right: 1px solid black;">14</td> </tr> </table>	21	22	13	14		LAY5-EPBS3	
		21	22	13	14				
NC+2N/O+2N/O <table border="0"> <tr> <td style="border-left: 1px dashed black; border-right: 1px dashed black;">21</td> <td style="border-right: 1px dashed black;">22</td> <td style="border-right: 1px solid black;">13</td> <td style="border-right: 1px solid black;">14</td> <td style="border-right: 1px solid black;">13</td> <td style="border-right: 1px solid black;">14</td> </tr> </table>	21	22	13	14	13	14	 	LAY5-EPBS32	
21	22	13	14	13	14				
 <p>LAY5-EPBS4</p>	4 holes control box 1 black spring return button 1 white spring return button 1 black spring return button 1 red emergency button turn to release IP54	N/C+3N/O <table border="0"> <tr> <td style="border-left: 1px dashed black; border-right: 1px dashed black;">21</td> <td style="border-right: 1px dashed black;">22</td> <td style="border-right: 1px solid black;">13</td> <td style="border-right: 1px solid black;">14</td> </tr> </table>	21	22	13	14		LAY5-EPBS4	
		21	22	13	14				
NC+3N/O+3N/O <table border="0"> <tr> <td style="border-left: 1px dashed black; border-right: 1px dashed black;">21</td> <td style="border-right: 1px dashed black;">22</td> <td style="border-right: 1px solid black;">13</td> <td style="border-right: 1px solid black;">14</td> <td style="border-right: 1px solid black;">13</td> <td style="border-right: 1px solid black;">14</td> </tr> </table>	21	22	13	14	13	14	   	LAY5-EPBS42	
21	22	13	14	13	14				
 <p>LAY5-EPBS5</p>	5 holes control box 1 black spring return button 1 white spring return button 1 black spring return button 1 white spring return button 1 red emergency button turn to release IP54	N/C+4N/O <table border="0"> <tr> <td style="border-left: 1px dashed black; border-right: 1px dashed black;">21</td> <td style="border-right: 1px dashed black;">22</td> <td style="border-right: 1px solid black;">13</td> <td style="border-right: 1px solid black;">14</td> </tr> </table>	21	22	13	14		LAY5-EPBS5	
		21	22	13	14				
NC+4N/O+4N/O <table border="0"> <tr> <td style="border-left: 1px dashed black; border-right: 1px dashed black;">21</td> <td style="border-right: 1px dashed black;">22</td> <td style="border-right: 1px solid black;">13</td> <td style="border-right: 1px solid black;">14</td> <td style="border-right: 1px solid black;">13</td> <td style="border-right: 1px solid black;">14</td> </tr> </table>	21	22	13	14	13	14	    	LAY5-EPBS52	
21	22	13	14	13	14				
 <p>LAY5-EPBS6</p>	6 holes control box 1 white spring return button 1 black spring return button 1 white spring return button 1 black spring return button 1 white spring return button 1 red emergency button turn to release IP54	N/C+5N/O <table border="0"> <tr> <td style="border-left: 1px dashed black; border-right: 1px dashed black;">21</td> <td style="border-right: 1px dashed black;">22</td> <td style="border-right: 1px solid black;">13</td> <td style="border-right: 1px solid black;">14</td> </tr> </table>	21	22	13	14		LAY5-EPBS6	
		21	22	13	14				
NC+5N/O+5N/O <table border="0"> <tr> <td style="border-left: 1px dashed black; border-right: 1px dashed black;">21</td> <td style="border-right: 1px dashed black;">22</td> <td style="border-right: 1px solid black;">13</td> <td style="border-right: 1px solid black;">14</td> <td style="border-right: 1px solid black;">13</td> <td style="border-right: 1px solid black;">14</td> </tr> </table>	21	22	13	14	13	14	     	LAY5-EPBS62	
21	22	13	14	13	14				

Control Switch	Description	Contact	Symbol	Type	Contour
 <p>LAY5-JBPN1P LAY5-JBPN2P</p>	1 holes control box 1 red mushroom head button push-pull	N/C E- 21 22		LAY5-JBPN1P	
	2 holes control box 1 Green button is spring return 1 red mushroom head button turn to release	N/O E- 13 14 + N/C E- 21 22	   	LAY5-JBPN2P LAY5-JBPN2P1 LAY5-JBPN2P2	
 <p>LAY5-JBPN3P</p>	3 holes control box 1 flush white button (black arrow) spring return 1 flush black button (white arrow) spring return 1 red mushroom head button turn to release	N/O E- 13 14 + N/O E- 13 14 + N/C E- 21 22	  	LAY5-JBPN3P	
 <p>LAY5-JBPN4P</p>	4 holes control box 1 flush white button (black arrow) spring return 1 flush red buttons Spring Return 1 flush black button (white arrow) spring return 1 red mushroom head button turn to release	N/O E- 13 14 + N/C E- 21 22 + N/O E- 13 14 + N/C E- 21 22	   	LAY5-JBPN4P	
 <p>LAY5-JBPN5P</p>	5 holes control box 1 flush white button (black arrow) spring return 1 flush red buttons Spring Return 1 flush black button (white arrow) spring return 1 selector switch 2 position stay-pull with protecting circle 1 red mushroom head button push-pull	N/O E- 13 14 + N/C E- 21 22 + N/O E- 13 14 + N/O+N/C E- 21 13 22 14 + N/C E- 21 22	    	LAY5-JBPN5P	
 <p>LAY5-JBPN6P</p>	6 holes control box 1 Green button is spring return 1 flush white button (black arrow) spring return 1 flush red buttons Spring Return 1 flush black button (white arrow) spring return 1 selector switch with protecting circle 1 red mushroom head button push-pull	N/O E- 13 14 + N/O E- 13 14 + N/C E- 21 22 + N/O E- 13 14 + N/O+N/C E- 21 13 22 14 + N/C E- 21 22	     	LAY5-JBPN6P	
 <p>LAY5-JBPN7P</p>	7 holes control box 1 flush white button (black arrow) spring return 1 flush black button (white arrow) spring return 1 flush red buttons Spring Return 1 flush white button (black arrow) spring return 1 flush black button (white arrow) spring return 1 selector switch with protecting circle 1 red mushroom head button push-pull	N/O E- 13 14 + N/O E- 13 14 + N/C E- 21 22 + N/O E- 13 14 + N/O E- 13 14 + N/O+N/C E- 21 13 22 14 + N/C E- 21 22	      	LAY5-JBPN7P	

Control Switch	Description	Contact	Symbol	Type	Contour
	European socket			LAY5-JBPH1P	
LAY5-JBPH1P					
	1 european socket 1 red mushroom head pushbutton push-pull	 N/C E— 21 22	 	LAY5-JBPH2P	
LAY5-JBPH2P					
	1 european socket 1 Green button spring return 1 Red Mushroom head button push-pull	 N/O E— 13 14 + N/C E— 21 22	  	LAY5-JBPH3P	
LAY5-JBPH3P					
	European socket 1 flash white button (black arrow) spring return 1 flash black button (white arrow) spring return Red Mushroom head button push-pull	 N/O E— 13 14 + N/O E— 13 14 + N/C E— 21 22	   	LAY5-JBPH4P	
LAY5-JBPH4P					
	European socket 1 flash white button (black arrow) spring return 1 flash red buttons Spring Return 1 flash black button (white arrow) spring return Red Mushroom head button push-pull	 N/O E— 13 14 + N/C E— 21 22 + N/O E— 13 14 + N/C E— 21 22	    	LAY5-JBPH5P	
LAY5-JBPH5P					
	European socket 1 flash white button (black arrow) spring return 1 flash red buttons Spring Return 1 flash black button (white arrow) spring return 1 selector switch 2 position slide-put with protecting circle Red Mushroom head button push-pull	 N/O E— 13 14 + N/C E— 21 22 + N/O E— 13 14 + N/O+N/C E— 21 22 13 14 + N/C E— 21 22	     	LAY5-JBPH6P	
LAY5-JBPH6P					