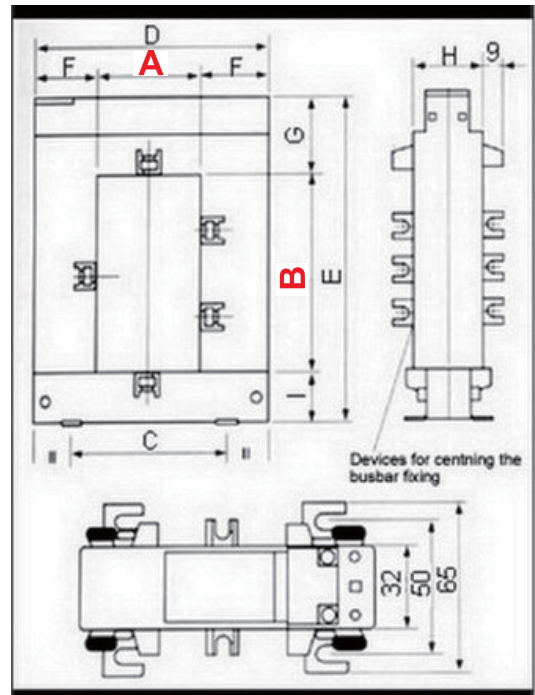





**Technical Details of split core transformers**

- Primary current: 100A-5000A
- Secondary current: 5A, 1A
- Standard approval: IEC44-1, BS7626
- Maximum voltage: 0.72/3kV
- Frequency: 50/60Hz
- Rated load: 1VA-30VA
- Class: 0.5, 1.0, 3.0
- Short-time thermal current:  $I_{th}=100j_A I_n$
- Rated security coefficient: FS 5



Type	A	B	C	D	E	F	G	H	I	Weight(kg)
DP-23	20	30	51	89	111	34	47	40	32	0.75
DP-58	50	80	78	114	145	32	32	32	33	0.90
DP-88	80	80	108	144	145	32	32	32	33	1.05
DP-812	80	120	108	144	185	32	32	32	33	1.25
DP-816	80	160	120	184	245	52	47	52	38	4.30

# Split-core transformer



Mold	Primary Current	Accuracy
DP23	100 A	3.0
	150 A	3.0
	200 A	1.0
	250 A	1.0
	300 A	0.5
	400 A	0.5
DP58	250 A	0.5
	300 A	0.5
	400 A	0.5
	500 A	0.5
	600 A	0.5
	750 A	0.5
	800 A	0.5
	1000 A	0.5
DP88	250 A	0.5
	300 A	0.5
	400 A	0.5
	500 A	0.5
	600 A	0.5
	750 A	0.5
	800 A	0.5
	1000 A	0.5
DP812	500 A	1.0
	600 A	1.0
	750 A	0.5
	800 A	0.5
	1000 A	0.5
	1200 A	0.5
	1500 A	0.5
DP816	1000 A	0.5
	1500 A	0.5
	2000 A	0.5
	2500 A	0.5
	3000 A	0.5
	4000 A	0.5
	5000 A	0.5